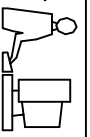


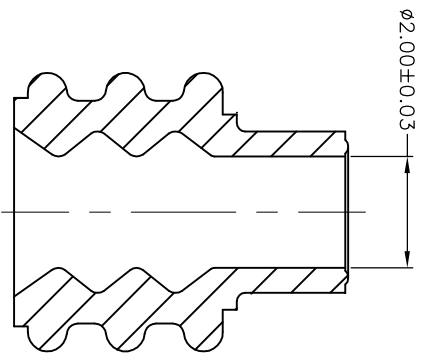
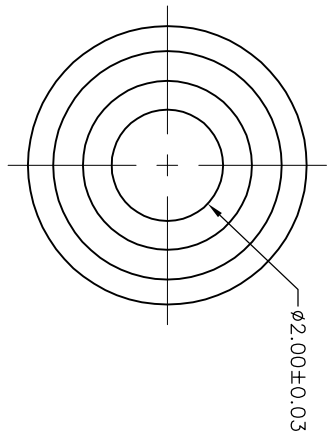
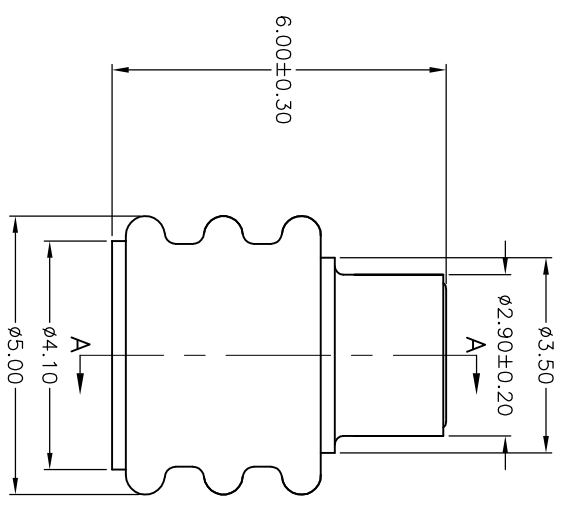
THIS IS A C.A.D. GENERATED DRAWING
DO NOT MAKE MANUAL REVISIONS TO MASTER.



* UNLESS OTHERWISE SPECIFIED TOLERANCES
ON DECIMAL IS:

UNIT: MM	TOL.	DIM	TOL.
X.	±0.15	X.	±2.0"
X.X	±0.10	X.X	±1.0"
X.XX	±0.08	X.XX	±0.5"
X.XXX	±0.05	X.XXX	±0.3"

ISSUE NUMBER
ORIGINAL ①



SECTION A-A
SCALE 1:1

Part Number	Ins Dia	Color	Pcs
570-260-002	2.1~2.7	Blue 541C	500

NOTES:
1. MATERIAL: SILICONE RUBBER, 40~45 DUROMETER REF



THIS SERIES FULLY CONFORMS TO THE
EUROPEAN UNION DIRECTIVES
2011/65/EU FOR ROHS COMPLIANCY.

572 SERIES WIRE SEAL

ACAD REFERENCE NO. 570-260-002		DATE: MAY.13/16	
DRAWN: R.STA.MONICA		DATE:	
CHECKED:		DATE:	
SCALE: (IN C.A.D. 1:1)		SHEET 1 OF 1	
DRAWING NUMBER 570-260-002		ISSUE 1	

EDAC INC
TORONTO, ONTARIO
CANADA
YOUR CONNECTION TO QUALITY & SERVICE

THESE DRAWINGS AND SPECIFICATIONS
ARE THE PROPERTY OF EDAC INC. AND
SHALL NOT BE REPRODUCED OR COPIED
OR USED AS THE BASIS FOR THE
MANUFACTURE OR SALE OF APPARATUS
WITHOUT WRITTEN PERMISSION.