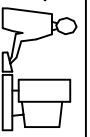
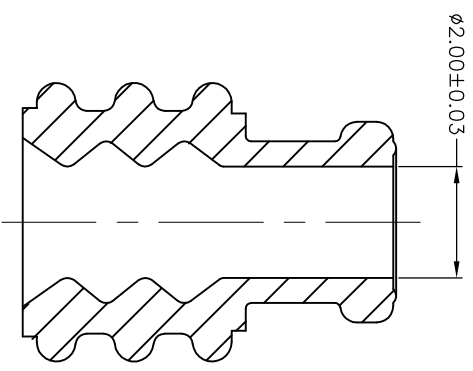
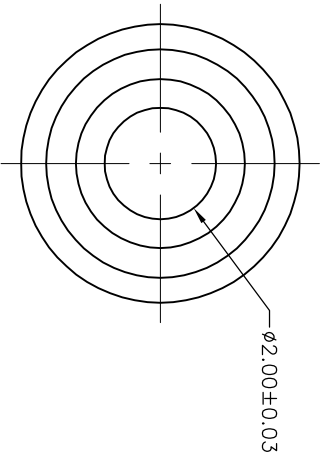
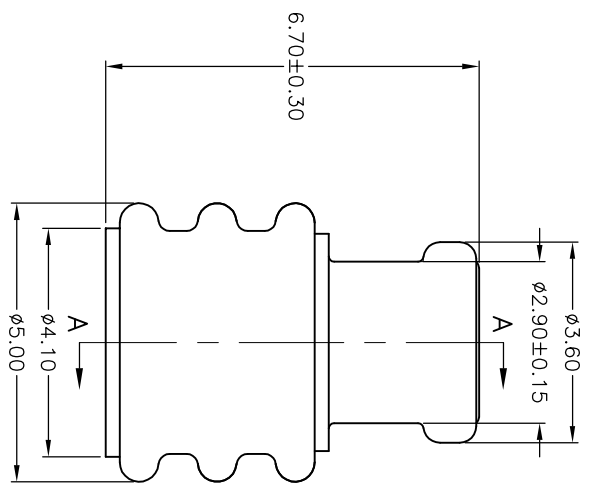


THIS IS A C.A.D. GENERATED DRAWING
DO NOT MAKE MANUAL REVISIONS TO MASTER.



* UNLESS OTHERWISE SPECIFIED TOLERANCES
ON DECIMAL IS:
UNIT: MM
DIM TOL DIM TOL
X. ±0.15 X. ±2.0"
XX ±0.10 XX ±1.0"
XXX ±0.08 XXX ±0.5"
XXXX ±0.05 XXXX ±0.3"

ISSUE NUMBER
ORIGINAL ①



SECTION A-A
SCALE 1:1

Part Number	Ins Dia	Color	Pcs
570-260-003	2.1~2.7	Blue 661C	500

NOTES:
MATERIAL: SILICONE RUBBER, 40~45 DUROMETER REF

572 SERIES WIRE SEAL

EDAC INC
TORONTO, ONTARIO
CANADA
YOUR CONNECTION TO QUALITY & SERVICE

THESE DRAWINGS AND SPECIFICATIONS
ARE THE PROPERTY OF EDAC INC. AND
SHALL NOT BE REPRODUCED, COPIED
OR USED AS THE BASIS FOR THE
MANUFACTURE OR SALE OF APPARATUS
WITHOUT WRITTEN PERMISSION.

ACAD REFERENCE NO.	570-260-003
DRAWN: R.STA.MONICA	DATE: MAY.13/16
CHECKED:	DATE:
SCALE: (IN C.A.D. 1:1)	SHEET 1 OF 1
DRAWING NUMBER	570-260-003
ISSUE	1



THIS SERIES FULLY CONFORMS TO THE
EUROPEAN UNION DIRECTIVES
2011/65/EU FOR ROHS COMPLIANCY.