

TOLERANCE UNLESS OTHERWISE SPECIFIED IN MM:

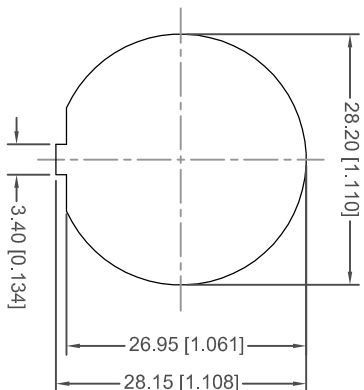
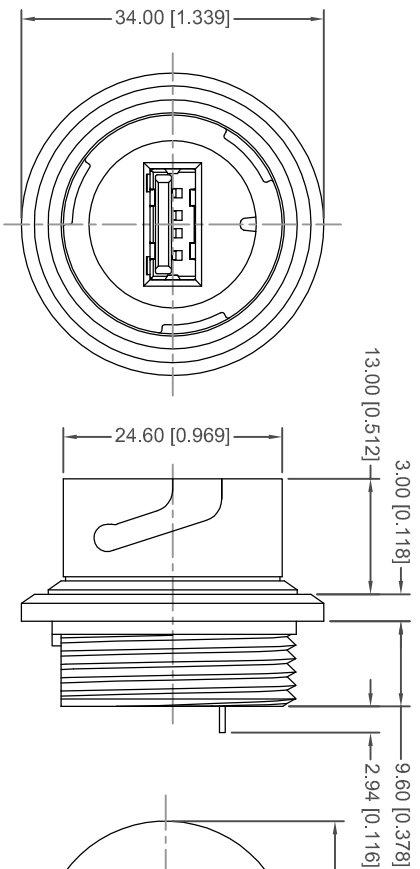
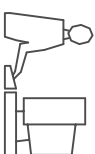
0.0 ± 0.20  
0.00 ± 0.10  
0.000 ± 0.05

THIS IS A C.A.D. GENERATED DRAWING  
DO NOT MAKE MANUAL REVISIONS TO MASTER.

ISSUE NUMBER

ORIGINAL

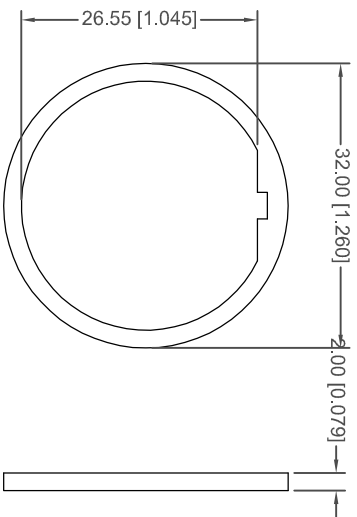
1



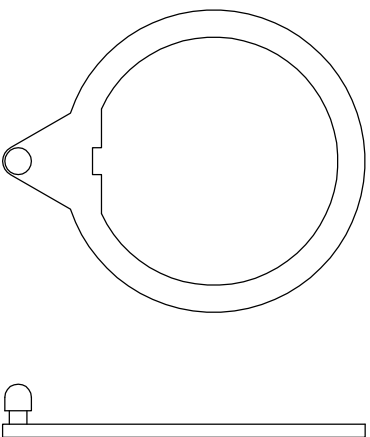
**PANEL CUT-OUT**

**MATERIAL :**

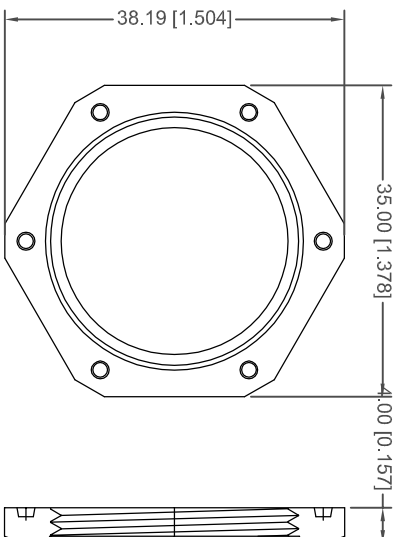
1. USB CONN
- 1-2. HOUSING : PBT UL 94V-0 ; COLOR : BLACK
- 1-3. CONTACT : PHOSPHOR BRONZE
- 1-4. SHELL : BRASS
2. PARTS
- 2-1. EXTERNAL HOUSING : PBT UL 94V-0 ; COLOR : BLACK
- 2-2. NUT : PBT UL 94V-0 ; COLOR : BLACK
- 2-3. WASHER : PBT UL 94V-0 ; COLOR : BLACK
- 2-4. O-RING : SILICON
3. PLATING
- 3-1. CONTACT : GOLD PLATING ON CONTACT AREA  
BRIGHT TIN ON SOLDER AREA
- 3-2. SHELL : NICKEL PLATING OVER ALL



**O-RING**



**WASHER**



**NUT**

**WATERPROOF USB TYPE A, 4P**

(FEMALE)

ACAD REFERENCE NO.: 690-W04-260-014

DRAWN: R.STA.MONICA DATE: APR.07/2014

CHECKED: DATE:

PART NUMBER 690-W04-260-014 SHEET 1 OF 1

DRAWING NUMBER 690-W04-260-014 ISSUE 1



THIS SERIES FULLY CONFORMS TO THE EUROPEAN UNION DIRECTIVES 2002/95/EC AND 2002/96/EC FOR ROHS COMPLIANCY.



EDAC INC  
TORONTO, ONTARIO  
CANADA

YOUR CONNECTION TO QUALITY & SERVICE

THESE DRAWINGS AND SPECIFICATIONS ARE THE PROPERTY OF EDAC INC. AND SHALL NOT BE REPRODUCED OR COPIED OR USED AS THE BASIS FOR THE MANUFACTURE OR SALE OF APPARATUS WITHOUT WRITTEN PERMISSION.