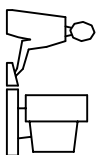
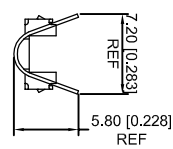
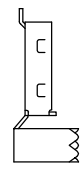
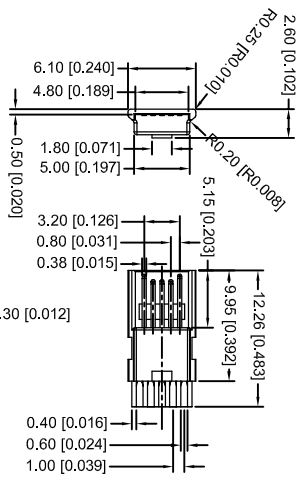


TOLERANCE UNLESS OTHERWISE SPECIFIED IN MM:
 0.0
 0.00
 0.000
 0.0000

THIS IS A C.A.D. GENERATED DRAWING
 DO NOT MAKE MANUAL REVISIONS TO MASTER.

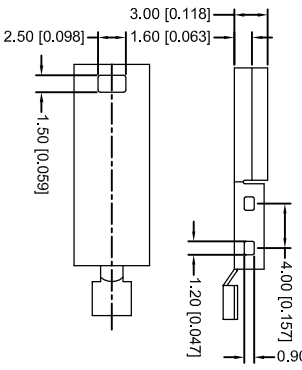
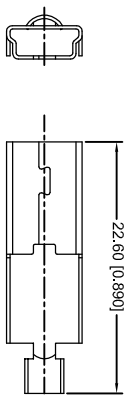
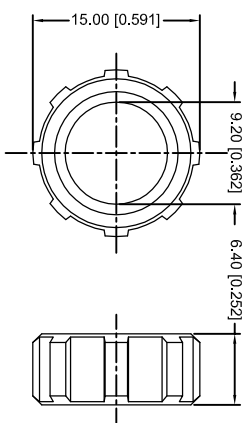


ISSUE NUMBER	
1	ORIGINAL
2	UPDATE INSULATOR DESIGN
3	ADD NOTE ON OVERMOULD



TOP METAL SHELL

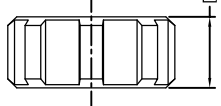
INSULATOR



BOTTOM METAL SHELL

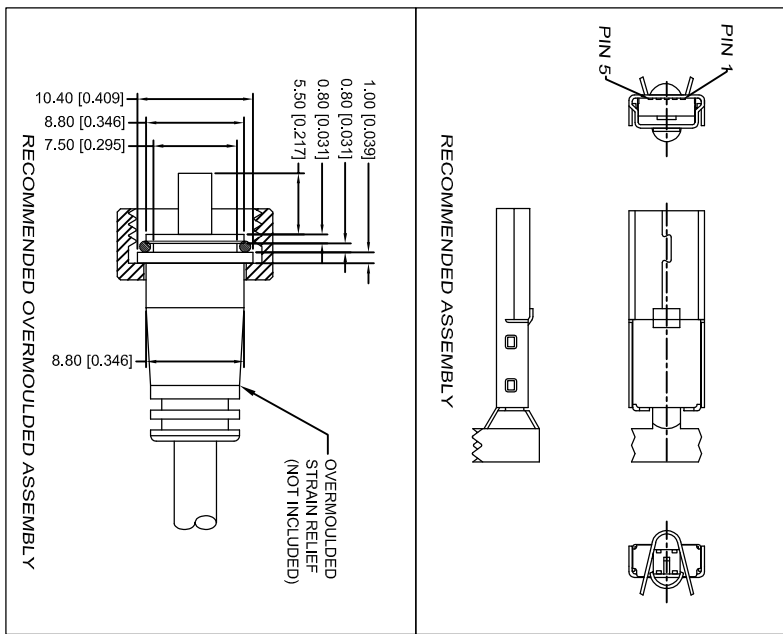


NUT

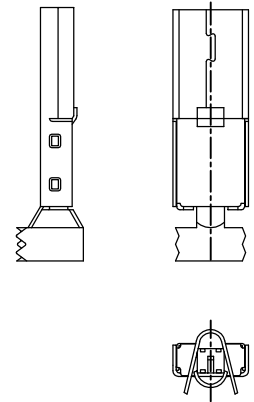


1. MATERIAL :
 1-1. HOUSING : PBT UL 94V-0
 COLOR : BLACK
 1-2. CONTACT : BRASS
 1-3. NUT : PBT UL94V-0
 1-4. O-RING : NBR (1*8) ; COLOR : BLACK.

2. FINISH :
 2-1. CONTACT AREA : GOLD PLATED
 OTHER AREA : GOLD FLASH
 SOLDER AREA : BRIGHT TIN
 3. SPECIFICATION:
 3-1. WATER PROOF : IPX7
 4. OPERATING TEMPERATURE:-25C TO +85C



RECOMMENDED ASSEMBLY



WATERPROOF MINI USB TYPE B, 5P (MALE)

EDAC INC
 TORONTO, ONTARIO
 CANADA

THESE DRAWINGS AND SPECIFICATIONS ARE THE PROPERTY OF EDAC INC. AND SHALL NOT BE REPRODUCED OR COPIED OR USED AS THE BASIS FOR THE MANUFACTURE OR SALE OF APPARATUS WITHOUT WRITTEN PERMISSION.

ACAD REFERENCE NO.:	690-W05-260-043
DRAWN:	R.STA.MONICA
DATE:	MAY.01/2014
CHECKED:	DATE:
PART NUMBER	690-W05-260-043
DRAWING NUMBER	690-W05-260-043
SHEET 1 OF 1	ISSUE 3



THIS SERIES FULLY CONFORMS TO THE EUROPEAN UNION DIRECTIVES 2002/95/EC AND 2002/96/EC FOR ROHS COMPLIANCY.