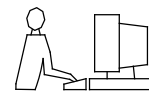


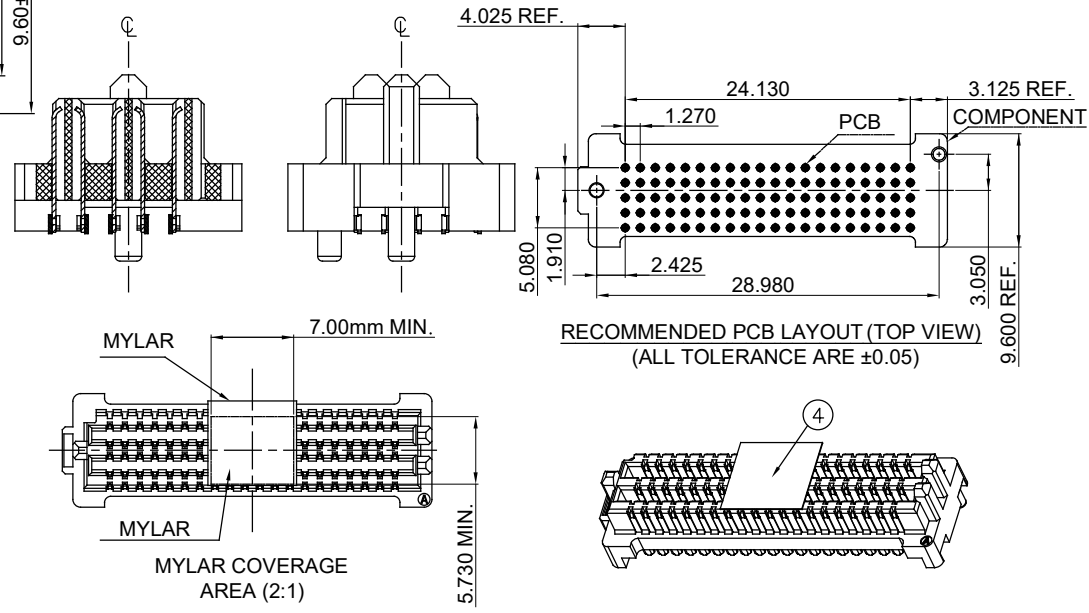
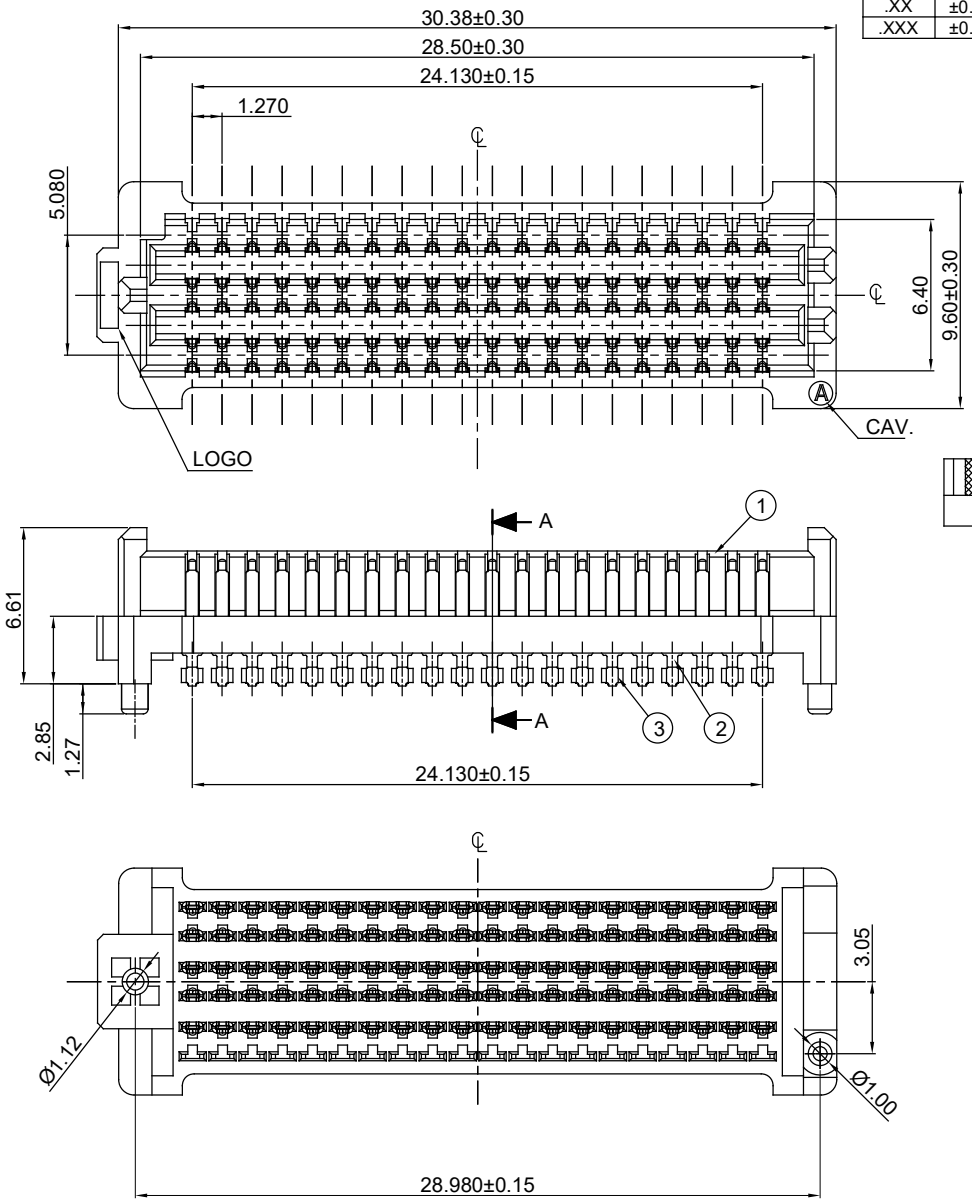
TOLERANCE UNLESS OTHERWISE SPECIFIED	
.X	±0.25
.XX	±0.15
.XXX	±0.10

THIS IS A C.A.D. GENERATED DRAWING  
DO NOT MAKE MANUAL REVISIONS TO MASTER.



NOTES:

- MATERIAL:  
 MYLAR: PE MATERIAL (NO PLATING)  
 HOUSING: L.C.P SERIES, UL-94V-0  
 SOLDER BLOCK: TIN ALLOY  
 CONTACT: COPPER ALLOY  
 10µ" GOLD PLATING ON CONTACT AREA  
 MATTE TIN PLATING ON SOLDER TAIL OVER NICKEL UNDER PLATING



NO.	DESCRIPTION	QTY.	MATERIAL	FINISH
4	MYLAR	1	PE MATEIRAL OR OTHER	NON-PLATING
3	SOLDER BLOCK	100	TIN ALLOY	NON-PLATING
2	CONTACT	100	COPPER ALLOY	GOLD PLATED ON CONTACT AREA & TIN(MATTE) 30~150 u" ON SOLDER TAIL OVER NICKEL 50~150 u" UNDER-PLATING.
1	INSULATOR	1	L.C.P SERIES, UL94 V-0	BLACK

BOARD TO BOARD, 100 CONTACTS, SMT,  
ALL LONG PIN, MALE

ACAD REFERENCE NO.: 470-100-529-001	
DRAWN: W.T	DATE: JUNE.28 /2018
CHECKED:	DATE:
SCALE: N.T.S	SHEET 1 OF 1
DRAWING NUMBER: 470-100-529-001	ISSUE 1
PART NUMBER: 470-100-529-001	



THIS SERIES FULLY CONFORMS TO THE EUROPEAN UNION DIRECTIVES 2011/65/EU FOR RoHS COMPLIANCY.

**EDAC**  
EDAC INC  
TORONTO, ONTARIO  
CANADA  
YOUR CONNECTION TO QUALITY & SERVICE

THESE DRAWINGS AND SPECIFICATIONS ARE THE PROPERTY OF EDAC INC., AND SHALL NOT BE REPRODUCED, OR COPIED OR USED AS THE BASIS FOR THE MANUFACTURE OR SALE OF APPARATUS WITHOUT WRITTEN PERMISSION.